

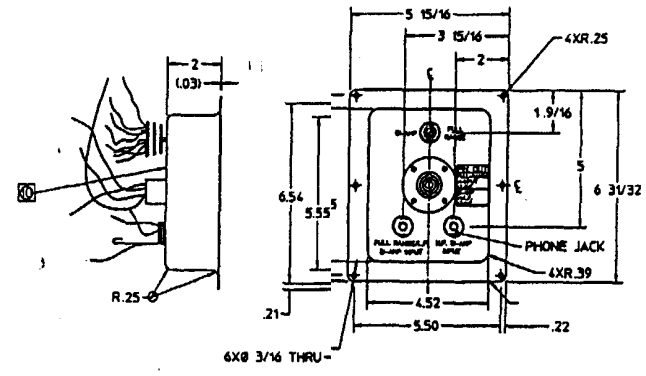
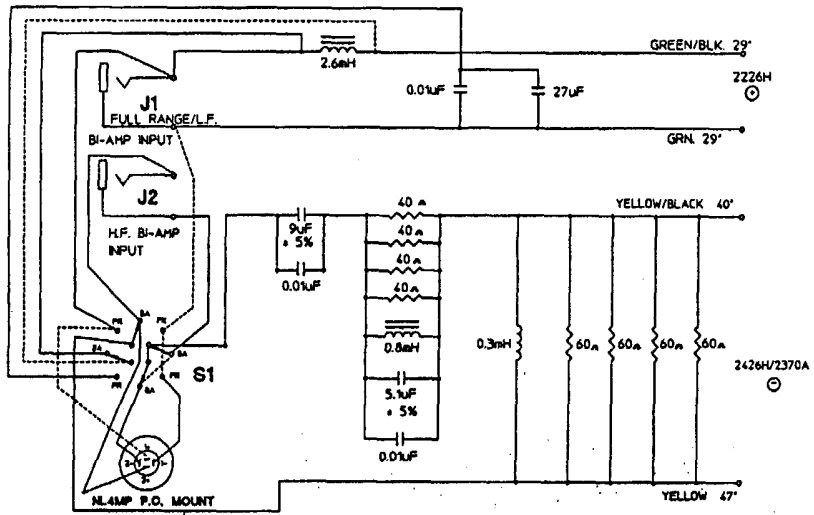
THESE DRAWINGS AND THE MANUFACTURING INSTRUCTIONS THEREON ARE REPRODUCED FORMS OF THE PROPERTY OF MARIAN SPEAKER MANUFACTURING CO. AND SHALL NOT BE REPRODUCED OR TRANSMITTED IN ANY FORM OR BY ANY MEANS, ELECTRONIC OR MECHANICAL, INCLUDING PHOTOCOPYING, RECORDING, OR BY ANY INFORMATION STORAGE AND RETRIEVAL SYSTEM, WITHOUT WRITTEN PERMISSION.

THE PROPERTY OF MARIAN SPEAKER MANUFACTURING CO. SHALL NOT BE REPRODUCED OR TRANSMITTED IN ANY FORM OR BY ANY MEANS, ELECTRONIC OR MECHANICAL, INCLUDING PHOTOCOPYING, RECORDING, OR BY ANY INFORMATION STORAGE AND RETRIEVAL SYSTEM, WITHOUT WRITTEN PERMISSION.

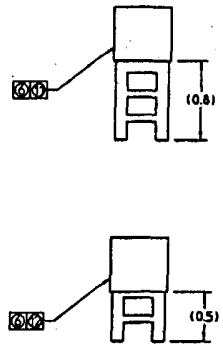
PART NO.	REV	DESCRIPTION	REMARKS
75964	B	NETWORK ASSY	SR4725A
75964-01	B	P.C.B.	SR4725A
75964-02	9	TERMINAL CUP	SR4725A

CHG	BY	DESCRIPTION	DATE	CHK	APP
F-1117	A	RELEASE FOR PRODUCTION	PHE	5/2/73	DPR
S417	B	ADDED NOTE 14	VAL		

NSR4725A



75964-02  
TERMINAL CUP



75964-01  
P.C. BOARD

14. ALL INDUCTORS TO BE SECURED IN PLACE WITH WIRE TIE AND RTV (SILICONE) UNDER BOBBIN SUPPORT. RTV NOT TO CONTACT WIRE WHERE POSSIBLE.
13. WIRES FROM P.C.B. TO TERM CUP TO BE 24"
- ① 60 RESISTORS TO BE SHORT LEG TYPE.
- ② 40 RESISTORS TO BE LONG LEG TYPE.
- ③ STAMP JBL P/N: 75676 ON CUP WHERE SHOWN.
- ④ MUST BE KEYED CONNECTOR (CAN ONLY BE CONNECTED ONE WAY).
8. INDUCTORS: ± 5% @ 1 KHZ, DCR < 0.25 OHMS, SATURATION 7A MIN, HYSTERESIS ± 2%
7. CAPACITORS: 0.01μF ± 10% @ 1 KHZ, D.F. < 2%, 200V POLYPROPYLENE  
ALL OTHERS ± 10% (UNLESS NOTED DIFFERENTLY) @ 1 KHZ, D.F. < 2%, 200V MYLAR
- ⑤ RESISTORS: 10 WATT, NO RTV REQUIRED BETWEEN RESISTORS (MUST BE TWO LEG/FOUR PIN TYPE)
5. NEUTRICK: NL4MP P.C. MOUNT VERSION OF 4 PIN NEUTRICK CONNECTOR (AIR TIGHT)
4. S1 TO BE TWO POSITION ROTARY SWITCH (ON-ON) WIRED FOR 6A MINIMUM RATING BY PARALLELING ONE SWITCH SECTION TOGETHER AS SHOWN.  
BA= BI-AMP MODE  
FR= FULL RANGE MODE
3. PHONE JACK (1/4" SWITCHCRAFT) TO BE INSULATED FROM TERMINAL CUP. (J1 & J2)
2. TERMINAL CUP TO BE 0.8MM THK STEEL, POWDERCOATED BLACK.
1. TERMINAL CUP SIMILAR IN SIZE ONLY, TO PART NO. 69691-XX.
- ⊙ OUTWARD CONE MOVEMENT WITH POSITIVE VOLTAGE TO RED INPUT TERMINAL.
- ⊙ INWARD CONE MOVEMENT WITH POSITIVE VOLTAGE TO RED INPUT TERMINAL.

NOTES: (UNLESS OTHERWISE SPECIFIED)

QTY/REV	PART NO.	PART/MATERIAL	REMARKS
BILL OF MATERIAL			
MARIAN SPEAKER MANUFACTURING 4000 Industrial Center Northridge, California 91324 U.S.A.		MARIAN SPEAKER MANUFACTURING & Service International Company Northridge, California 91324 U.S.A.	
DATE: 5/2/73	BY: D	DATE: 5/2/73	BY: D
REV: 1	REV: 1	REV: 1	REV: 1
NETWORK P.C. BOARD		NETWORK P.C. BOARD	
SR4725A		SR4725A	
75964-01		75964-01	
75964-02		75964-02	
NONE		NONE	
1 of 1		1 of 1	